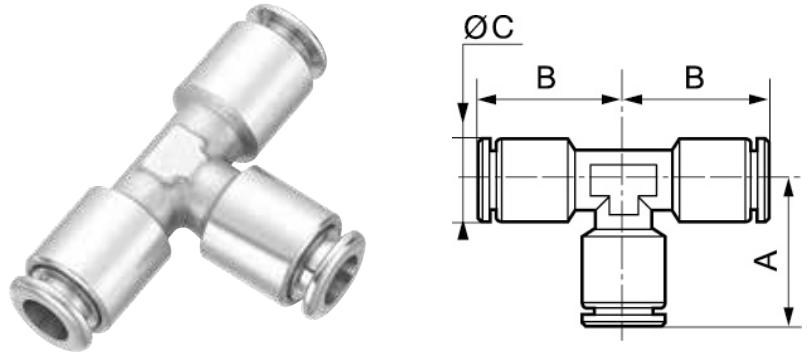


## CONEX - METAL PUSH FITTINGS

Equal tee piece - RMT ET



**Min / Max operating pressure**

0 / 15 bar

**Min. / Max temperature**

-20 / 80 °C

Part number	Dim. A (mm)	Dim. B (mm)	Dim. C (mm)
RMT ET0404	21	21	9.8
RMT ET0606	24	24	11.6
RMT ET0808	26	26	13.5
RMT ET1010	30.5	30.5	15.6
RMT ET1212	33.5	33.5	17.8
RMT ET1414	37	37	19.8